



AVENUE II COMMUNITY PROGRAM SERVICES
(THUNDER BAY) INCORPORATEI

MANUAL OF ADMINISTRATION

TOPIC: SUPPORT SERVICES	SUBJECT: Daily Hot Water Check in 24 Hour Support Locations	Code: SS189
		Date of Issue: May 2011
		Revised: September 2024
		Page 1 of 2

Handwritten mark

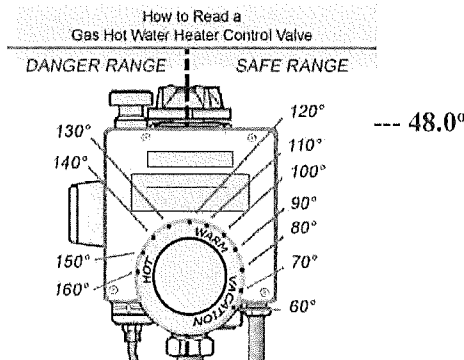
PURPOSE: To outline the procedure for daily water temperature checks to prevent scalding. The water temperature from a faucet cannot be above 48.0 degrees Celsius.

EQUIPMENT: Digital Meat Thermometer (Supplied by Avenue II)
Container with a handle

PROCEDURE:
Every home will have the water temperature checked during the **FIRST scheduled** day shift using the thermometer provided (location of the thermometer is on the posted fire plan) and **prior to any bathing or showering**. When vacationing with support a daily water test must still occur and a thermometer taken on the vacation. If a spare thermometer is needed, please contact the office.

SUPPORT WORKER RESPONSIBILITIES:

1. The support worker will run the bathtub hot water faucet for 2 minutes at **full flow** uninterrupted at the hottest setting.
2. The support worker will fill the handled container with hot water and keep the water running into the container throughout the test. While it continues to run into the container test the water temperature by holding the thermometer in the container until the temperature reaches the highest point and stabilizes.
3. If the temperature is 48.0 degrees Celsius or below then the client may bathe or shower.
4. If the temperature is above 48.0 degrees Celsius, the support worker will continue to monitor the hot water tank and take appropriate action until the temperature is under 48.0 degrees Celsius. Each time there is a water tank adjustment, staff will retest after an hour and continue until the hot water tank remains below 48.0 degrees Celsius. Contact Manager / On-Call and complete Incident Report.
5. Any temperature above 48.0 will prohibit bathing or showering.



MANUAL OF ADMINISTRATION

TOPIC: SUPPORT SERVICES	SUBJECT: Daily Hot Water Check in 24 Hour Support Locations	Code: SS189
		Date of Issue: May 2011
		Revised: September 2024
		Page 2 of 2

6. Should someone not bathe/shower on any given day the support worker will mark N/A in the "No Test" box.
7. When vacationing a thermometer must accompany the client in order to test the hot water.
 - 7.1 Should temperature be above 48.0 degrees Celsius alternate options are approved as follows:
 - Mix bath water to ensure temperature does not exceed 48.0 degrees Celsius or
 - Shower water adjusted to not be above 48.0 degrees Celsius. Staff will remain in the bathroom to monitor temperature during shower. Document on an incident report.
8. A manual pool thermometer will also be kept on site and used if the digital thermometer is not working.
9. **Exception:** if bathing is prohibited and the client will experience high anxiety, if it will disrupt their routine, a pre-approved support routine will be developed and approved by Manager/Management for special circumstances. This will be added to the Bathing, Shower Protocol. Use of this protocol will require an incident report.

SUPERVISOR RESPONSIBILITIES:

1. If the temperature is above 48.0 degrees Celsius, the Manager or On-Call Supervisor will direct the support worker to check the water temperature hourly and write an incident report and/or contact landlord to service if required.